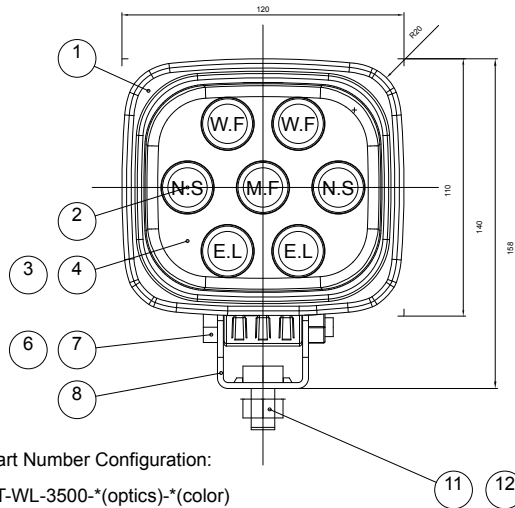
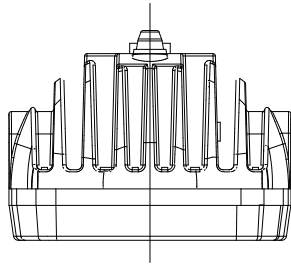
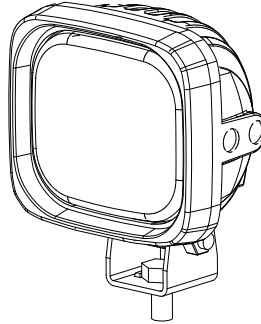


[SPECIFICATION]

1. OPERATING VOLTAGE : DC 9V ~ 32V
2. WATTAGE : 35 W
3. AMPS : 2.79 @ 12VDC
4. LED : XP-G2 (CREE)
5. LUMINOUS FLUX : 1565.35 (lm)
6. RAW LUMENS : 3696
7. WEIGHT : 2.45- (lb)
8. VIBRATION : 21.2 (Grms)
9. WEATHER PROOF & DUST RESISTANCE
10. TEMPERATURE : -40 °C ~ 85°C
11. LIFE : 50,000 (Hr)
12. IP RATING : IP68/69K

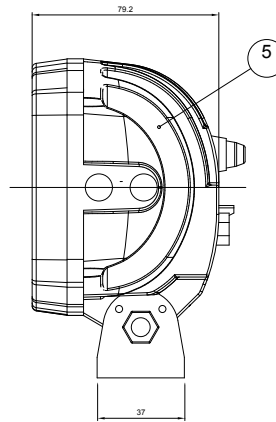
Width: 4.75"
Height: 4.33"
Depth: 3.12"



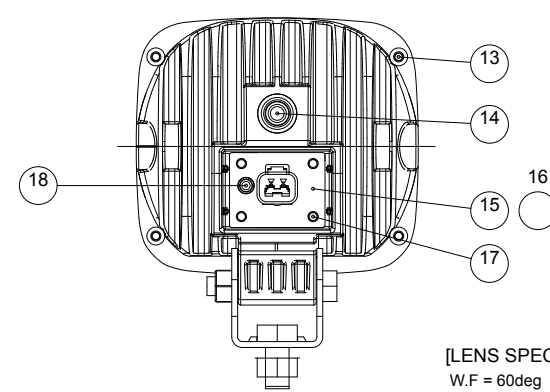
Part Number Configuration:

FT-WL-3500-*(optics)-*(color)

Optics: F=Flood S=Spot FT=Combo
Color: W=White B=Black



NO.	PART NO.	DESCRIPTION	QTY
01	TOP-COVER	ALDC12 (POWDER-COATING)	1
02	LENS	ACRYL	7
03	REFLECTOR-HOLDER	PC	1
04	PC-COVER	PC (CLEAR)	1
05	BODY	ALDC12 (POWDER-COATING)	1
06	BOLT	M8X50 (HEX/SUS#304/NYLOK)	1
07	NUT	M8 (NYLOCK)	1
08	BRKT (UPPILOW)	PO/2.5T	2
09	BOLT	M6X20 (HEX/SUS#304/NYLOK)	2
10	NUT	M6 (NUT/NYLOK)	2
11	BOLT	M10X20 (HEX/SUS#304/NYLOK)	1
12	NUT	M10 (NYLOK)	1
13	BOLT	M4X12 (ALLEN/SUS#304/NYLOK)	4
14	SWITCH	PUSH-TYPE	1
15	FLANGE	PC	1
16	DEUTSCH-2P	RECEPTACLE-DT04-2P-E004/WEDGE-W2P	1
17	BOLT	M4X12 (ALLEN/SUS#304/NYLOK)	4
18	FLANGE(DIMMING-PORT)	PC	1



[LENS SPEC]

- W.F = 60deg
- M.F = 40deg
- M.S = 25deg
- N.S = 10deg
- E.L = 30 x 65 deg

REV	ZONE	REVISION RECORD	
ANGLE			
UNIT	mm	SCALE	1:1
SHEET	1/1	REV	P1
Q'ty	1	SIZE	A1
DESIGN : K.J.H	DATE	16.10.19	
CHECKED : M.Y.H	DATE	16.10.19	
APPROVAL : J.S.M	DATE	16.10.19	
WEIGHT : 2.45lb, 1,111.3g			
FINISH : -			
MATERIAL : -			
CODE NO. : -			
PART NAME :	EXTERNAL VIEW		
MODEL NAME :	FT-WL-3500-*.*		

VXQF 405-4(Rev.1)