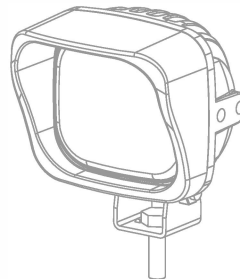
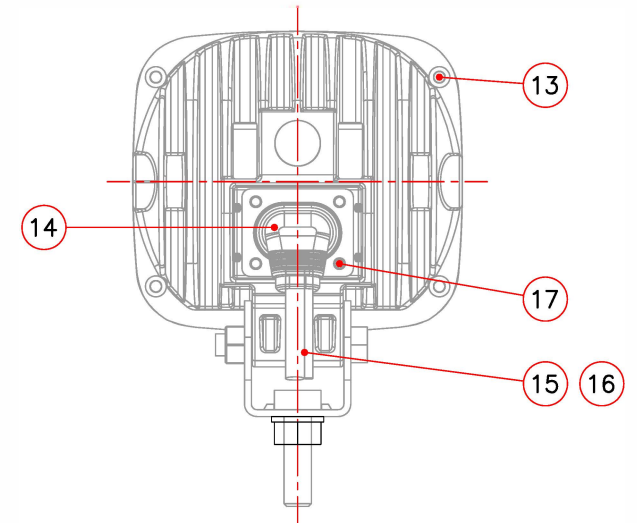
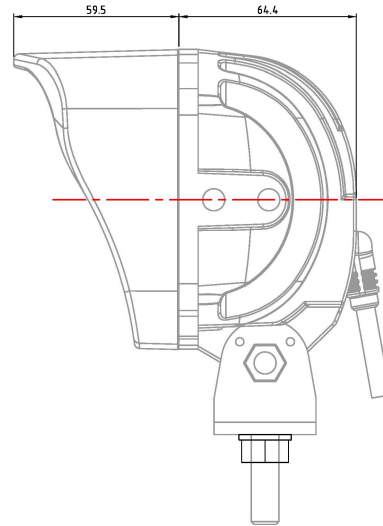
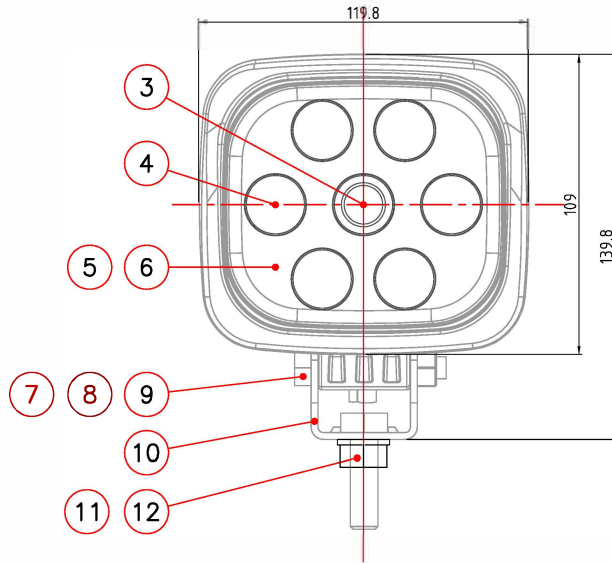


### [SPECIFICATION]

1. OPERATING VOLTAGE : DC 11V ~ 65V
2. WATTAGE : 5W
3. LED : 30W (XPG-CREE)
4. LUMINOUS FLUX : 1,450 (lm)
5. LENS : ACRYLIC
6. WEIGHT : 1.6 (kg)
7. VIBRATION : - (Grms)
8. WEATHER PROOF & DUST RESISTANCE
9. TEMPERATURE : -40 °C ~ 85°C
10. LIFE : 50,000 (Hr)
11. IP RATING : IP68

17	BOLT	M4X12 (ALLEN/SUS#304/NYLOK)	4	
16	DEUTSCH-2P	RECEPTACLE:DT04-2P-E004/WEDGE:W2P	1	
15	S-VIEDO OUT-CABLE	MINIDIN-4 S-VIEDO (MALE-PIN)	1	
14	CABLE-BUSHING	PVC	1	
13	BOLT	M4X12 (ALLEN/SUS#304/NYLOK)	4	
12	NUT	M10 (NYLOK)	1	
11	BOLT	M10X20 (HEX/SUS#304/NYLOK)	1	
10	BRKT (UPP)	PO/2.5T	1	
9	NUT	MB (NYLOCK)	1	
8	WASHER	M8	1	
7	BOLT	M8X50 (HEX/SUS#304/NYLOK)	1	
6	PC-COVER	MML PC-COVER / IR-Ver PC-COVER	1	OPTION
5	PCB-COVER	SILICONE-SHEET (WHT)	1	
4	LENS	EXxxL-Mx / AQxxL-Mx (IR-P4)	6	OPTION
3	CAMERA-MODULE	KCE-M110 / M180	1	OPTION
2	SHIELD-COVER (S-TOP)	ALDC12 (POWDER-COATING)	1	
1	BODY	ALDC12 (POWDER-COATING)	1	
NO	PARTS NAME	SPEC (FINISHING)	Q'TY	REMARK



UNIT	mm	DRAWING	CHECK	APPROVAL	TITLE	FT-WL3500-C [EXTERNAL-VIEW]
TOL.	-	S.G.PARK				
SCALE	1:1					
DATE	2013.09.25					
HiViz LED Lighting "FireTech" Configuration					DRAWING NO.	VX-BD-0000-0