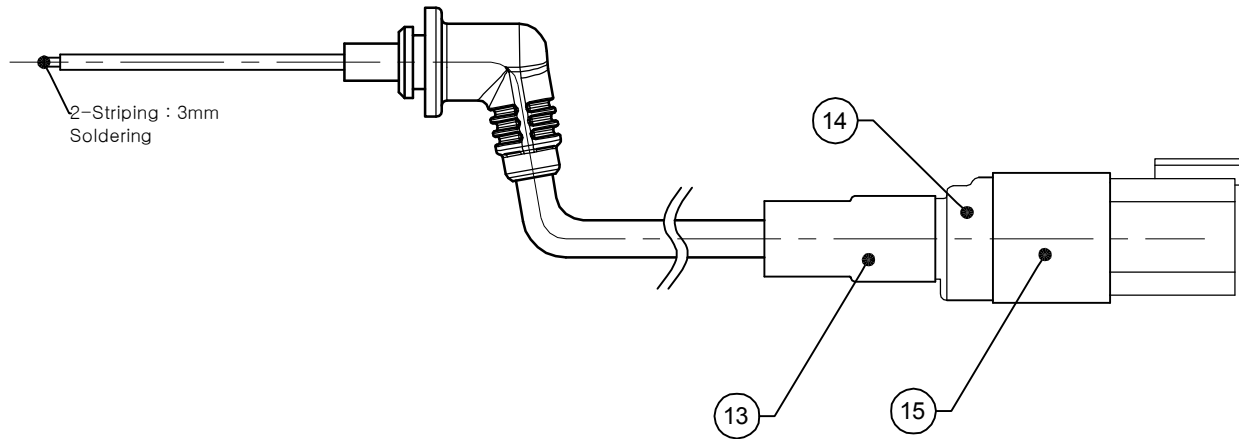
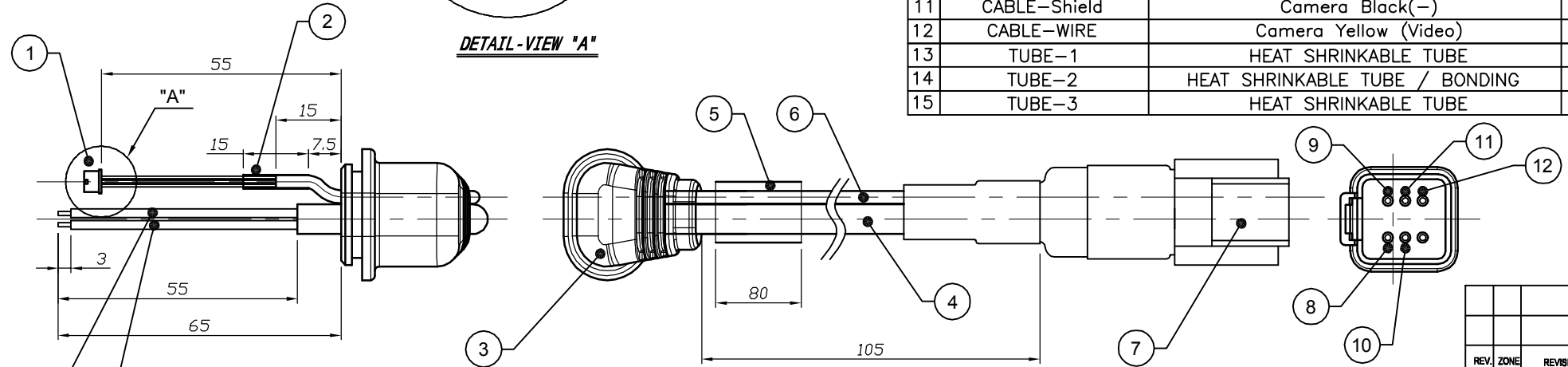


DETAIL-VIEW "A"



*NOTE.

NO.	PART NAME	DESCRIPTION	Q'TY
01	CONNECTOR	Camera-module Input 3P-CONNECTOR	1
02	TUBE	HEAT SHRINKABLE TUBE	1
03	STOPPER	PVC(BLACK)/ UMX4400 / INSERT MOLDING	1
04	CABLE ASS'Y	POWER LEAD WIRE 2464 18 AWG	1
05	TUBE	PVC(BLACK)	1
06	CABLE ASS'Y	CAMERA CABLE	1
07	DEUTSCH_6P ASS'Y	RECEPTACLE:DT04-6P-E004	1
08	CABLE-WIRE	18 AWG (COLOR : RED)	1
09	CABLE-WIRE	18 AWG (COLOR : BLACK)	1
10	CABLE-WIRE	Camera Red(+)	1
11	CABLE-Shield	Camera Black(-)	1
12	CABLE-WIRE	Camera Yellow (Video)	1
13	TUBE-1	HEAT SHRINKABLE TUBE	
14	TUBE-2	HEAT SHRINKABLE TUBE / BONDING	
15	TUBE-3	HEAT SHRINKABLE TUBE	

REV.	ZONE	REVISION RECORD	
		ANGLE	
UNIT	mm	SCALE	1:1
SHEET	1/1	REV	P0
Qty	1	SIZE	A3
DESIGN :	K.D.S	DATE	16.04.26
CHECKED :		DATE	
APPROVAL :		DATE	
WEIGHT :	-		
FINISH :	-		
MATERIAL :	-		
CODE NO.:	ACBMMMLC.DT6PIN		
PART NAME:	CABLE ASS'Y		
MODEL NAME:	WL3500-C Wiring DT04-6P, 105mm		
FIRETECH <small>BY HOUSE LEO LIGHTING</small>			