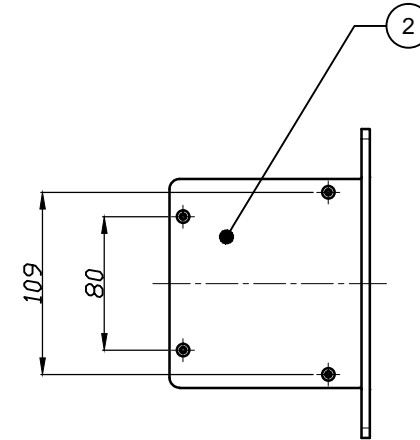
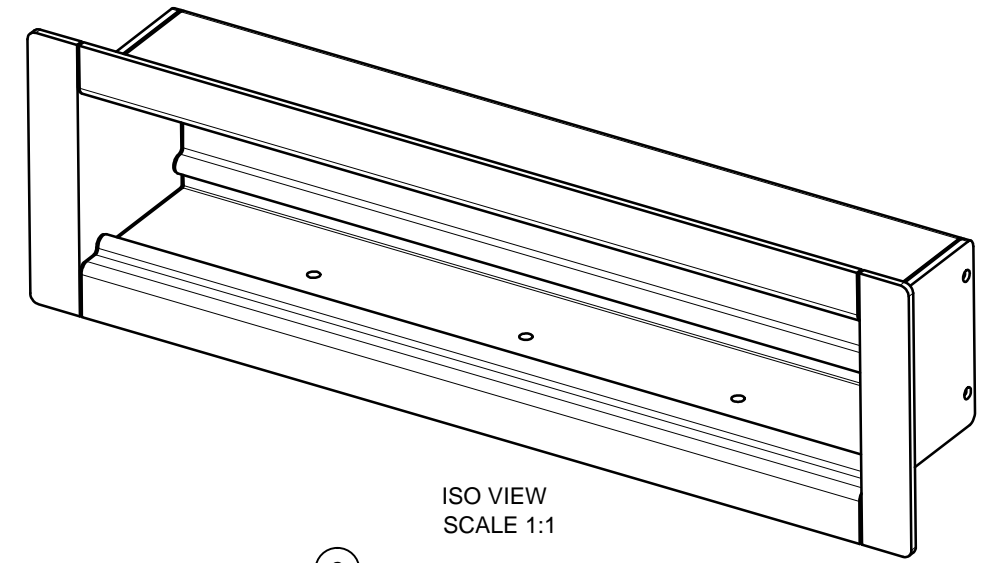
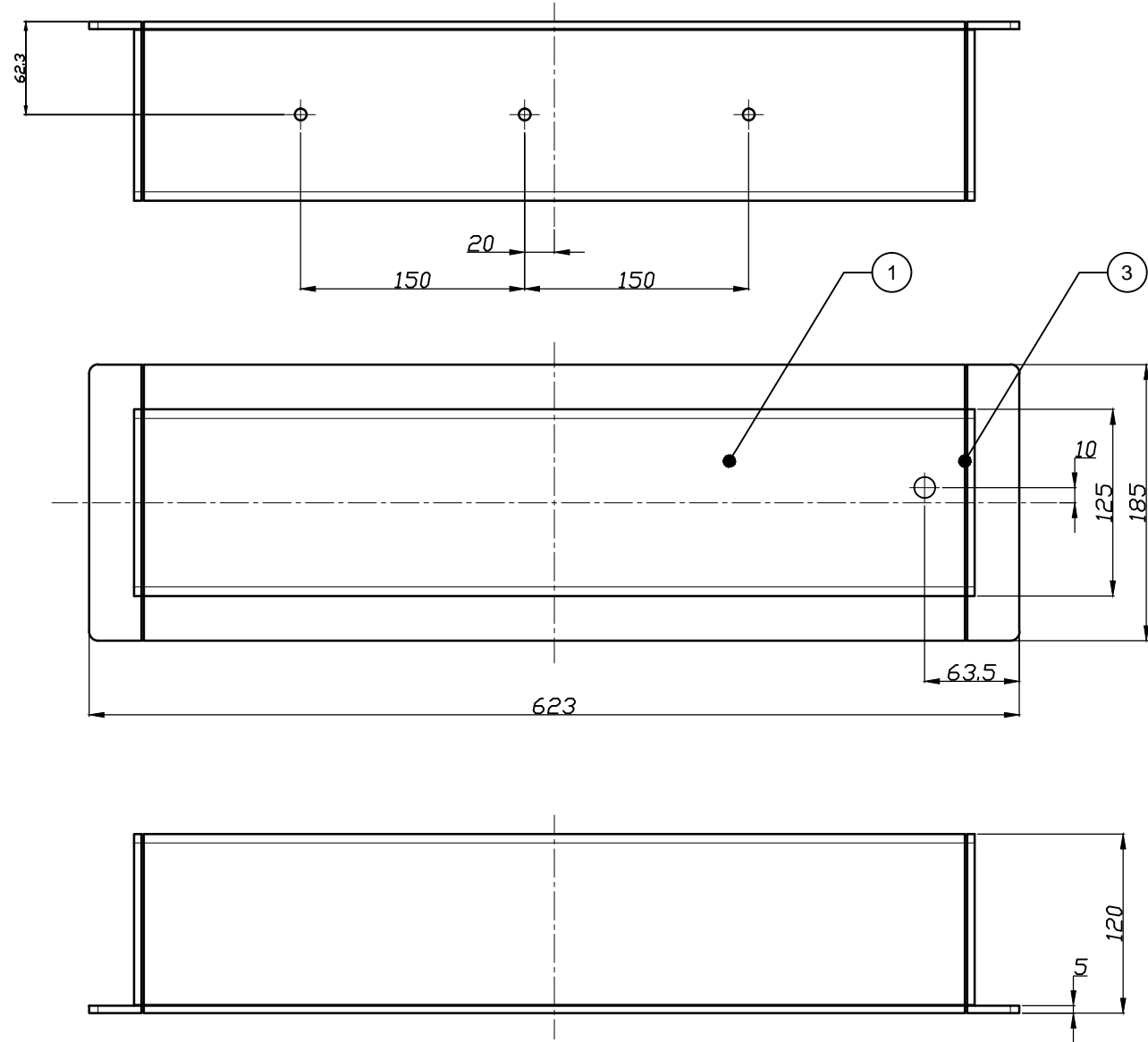


VXQF 405-4(Rev.1)

NO.	PART NO.	DESCRIPTION	Q'TY
01	EXTRUSION BODY	ALUMINUM	1EA
02	END CAP	ALUMINUM	2EA
03	GASKET	SILICONE	2EA



REV.	ZONE	REVISION RECORD	
		ANGLE	
UNIT	mm	SCALE	1:1
SHEET	1/1	REV	P1
Q'ty	1	SIZE	N/A
DESIGN :	K.J.H	DATE	15.03.12
CHECKED :	M.Y.H	DATE	15.03.12
APPROVAL :	J.S.M	DATE	15.03.12
WEIGHT :	-		
FINISH :	-		
MATERIAL :	-		
CODE NO. :	0000		
PART NAME :	ASSEMBLY		
MODEL NAME :	FT-MB-2.18-REC-HO		
FIRETECH <small>BY HUIZHE LED LIGHTING</small>			