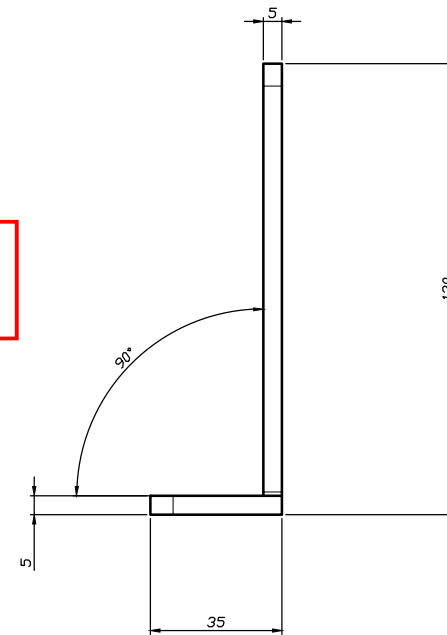
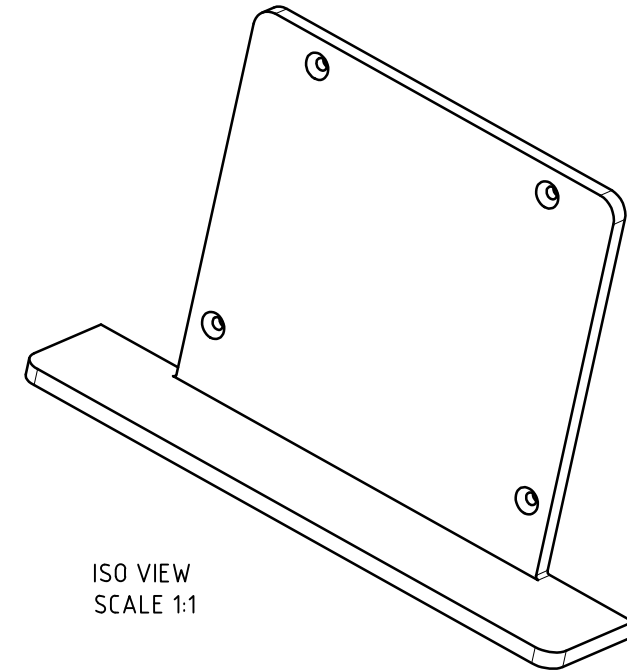
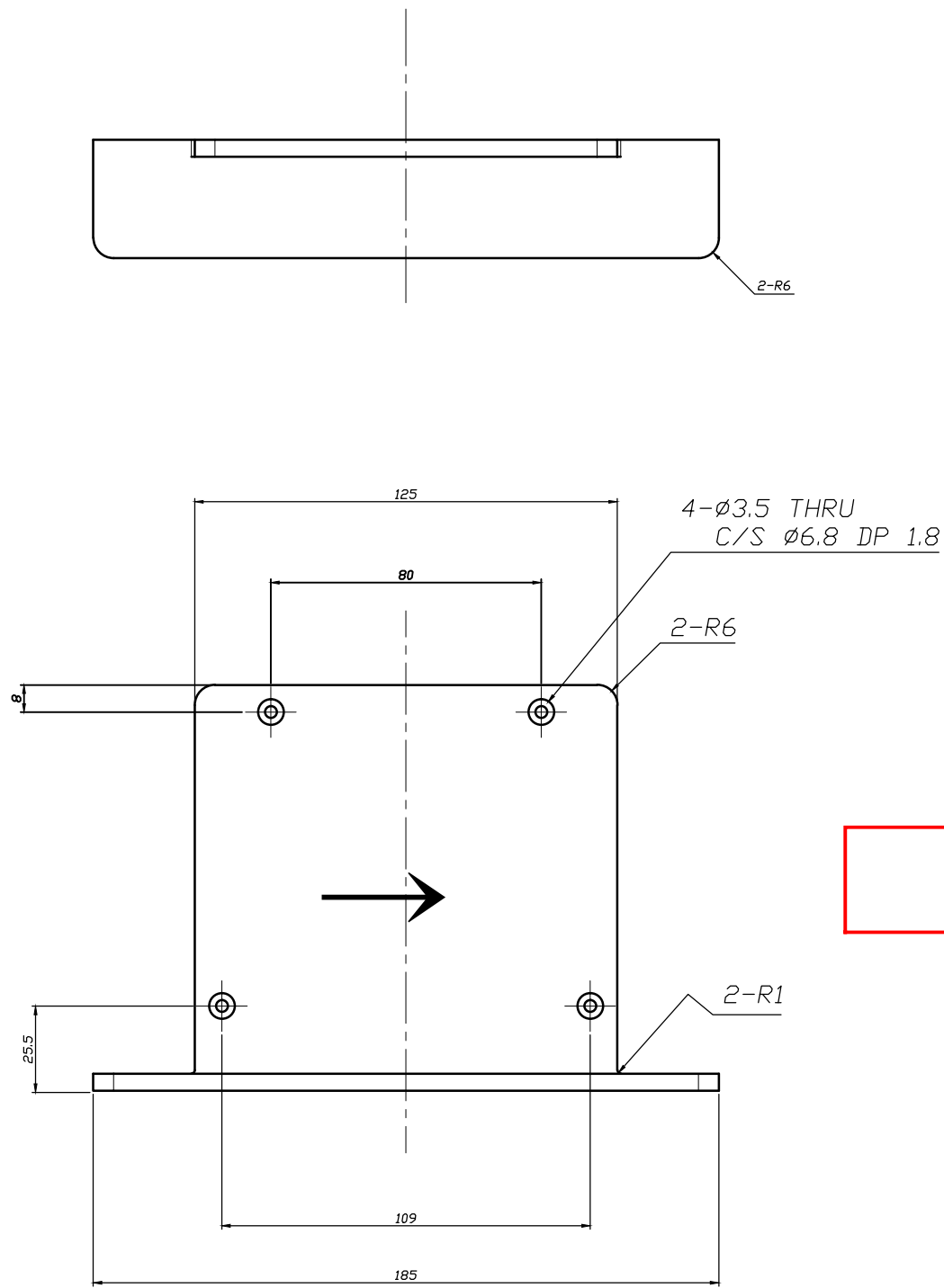


VXQF 405-4(Rev.1)

NO.	PART NO.	DESCRIPTION	Q'TY
02	END CAP	ALUMINUM	2EA



02			
01			
REV. ZONE	REVISION RECORD		
ANGLE			
UNIT	mm	SCALE	1:1
SHEET	1/1	REV	P1
Q'ty	1	SIZE	A1
DESIGN :	K.J.H	DATE	14.03.06
CHECKED :	M.Y.H	DATE	
APPROVAL :	J.S.M	DATE	
WEIGHT :	-g		
FINISH :	별도표기		
MATERIAL :	ALUMINUM 5T		
CODE NO. :	0000		
PART NAME :	END CAP		
MODEL NAME :	PX36 EXTRUSION		