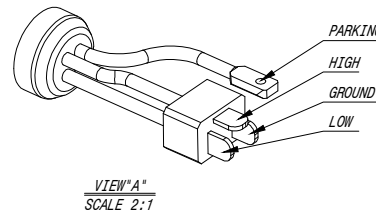
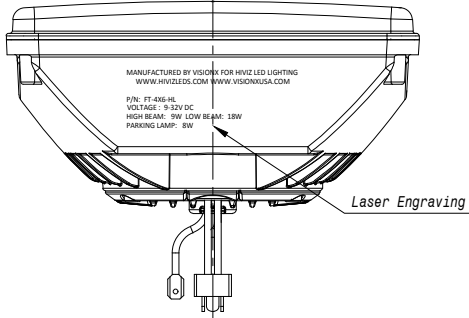
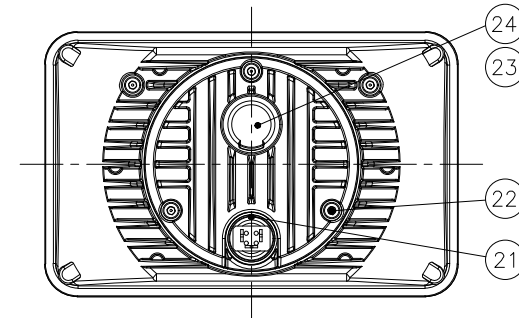
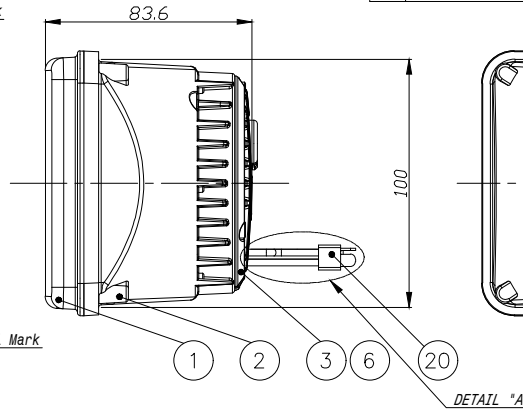
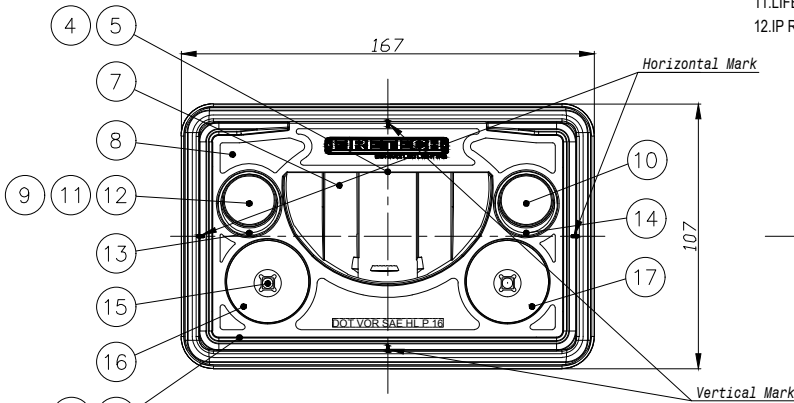


ISO-VIEW

[SPECIFICATION]

1. OPERATING VOLTAGE : DC 9V ~ 32V
2. WATTAGE : a) Hi : 9W  
b) Low : 18W  
c) Parking : 8W
3. AMPS : a) Hi : 0.75A @ 12VDC  
b) Low : 1.5A @ 12VDC  
c) Parking : 0.67A @ 12VDC
4. LED : a) Hi : XM-L2 (Cree) 10W x2  
b) Low : Altilon-C4S (Philips) 13W x1  
XP-G2 (Cree) 5W x2  
c) Parking : Luxeon 3014 (Philips) 0.2W x40
5. LUMINOUS FLUX : a) High : 680 (lm)  
b) Low : 1,093 (lm)  
c) High + Low : 1,773 (lm)  
d) Parking : 299 (lm)
6. LAW LUMINOUS FLUX : a) High : 2,100 (lm)  
b) Low : 2,040 (lm)  
c) High + Low : 4,140 (lm)  
d) Parking : 1,080 (lm)
7. WEIGHT : 1.94 (lb)
8. VIBRATION : 21.2 (Grms)
9. WEATHER PROOF & DUST RESISTANCE
10. TEMPERATURE : -40 °C ~ 85 °C
11. LIFE : 50,000 (Hr)
12. IP RATING : IP68/69K

NO.	PART NAME	DESCRIPTION	Q'TY
01	TOP-COVER	PC(CLEAR)/UV-COATING	1
02	BODY	ALDC12(BLK/ELECTROCOATING)	1
03	REAR-COVER	ALDC10(BLK/ELECTROCOATING)	1
04	LED-LOW BLOCK	ALDC10(BLK/ELECTROCOATING)	1
05	LOW-LED	PHILIPS ALTILON-C4S	1
06	ORING	SILICON 40°	1
07	REFLECTOR-LOW	PC(Vacuum Evaporation Coating)	1
08	REFLECTOR-B	PC(Vacuum Evaporation Coating)	1
09	LOW-LED XPG L	CREE-XPG2	1
10	LOW-LED XPG R	CREE-XPG2	1
11	LENS	ELLIPTICAL (30/65DEG)	2
12	LENS-HOLDER	LL01ZZCL60H2	2
13	GUIDE-HOLDER L	PC(BLK)	1
14	GUIDE-HOLDER R	PC(BLK)	1
15	HIGH LED	CREE-XML2 (10WX2LED)	1
16	REFLECTOR-HIGH L	PC(Vacuum Evaporation Coating)	1
17	REFLECTOR-HIGH R	PC(Vacuum Evaporation Coating)	1
18	HALO-LED	PHILIPS LUXEON_3014 (0.2WX40LED)	1
19	HALO-RING	PC(DIFFUSE)	1
20	CABLE-ASSY	4P/AWG16/30mm	1
21	WIRE-BUSHING	SILICONE(BLK)	1
22	REAR FIX-BOLT	ALLEN/SUS304/M4X8(NYLOK/BLK)	5
23	VENT CAP	M12 * 1.5P 10mm	1
24	VENT CAP COVER	SILICON Ø19/WHITE	1



VIEW "A"  
SCALE 2:1

REV.	ZONE	REVISION RECORD	
		ANGLE	
		UNIT	m/m
		SCALE	1:1
		SHEET	1/1
		REV	F00
		Qty	1
		SIZE	N/A
		DESIGN : K.J.H	DATE 17.03.17
		CHECKED : K.D.H	DATE 17.03.17
		APPROVAL : J.S.M	DATE 17.03.17
		WEIGHT :	- g
		FINISH :	-
		MATERIAL :	-
		CODE NO. :	-
		PART NAME :	EXTERNAL VIEW
		MODEL NAME :	FT-4X6-HL

