

FT-B-46-ML3

ABOUT THE BROW LIGHT

Thinner, Brighter, and Guaranteed Forever. That's the FireTech way. The FireTech Brow Light is the ultimate lighting solution for the front of your Fire Apparatus. There is a reason it is trusted by some of the nation's largest fleets.

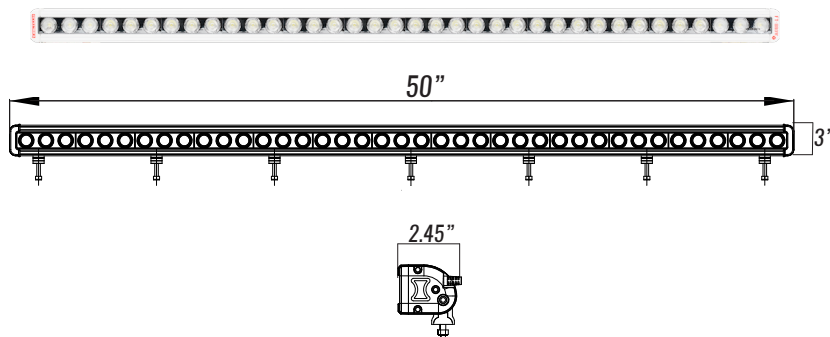
Available with optional Integrated DOT Marker lights and split circuits, this product is the first fixture specifically designed from the ground up for use on the front of an apparatus cab to illuminate the roadway. One of the secrets to the Brow lights success is the ability to attach the light at multiple points along the extrusion. This patented, adjustable rail mounting system allows the FireTech Brow Light to be attached more securely to the apparatus. This means that overtime, it will not flex and succumb to moisture intrusion. The FireTech Brow Light's extreme reliability and proven track record is why it is the ultimate lighting solution for forward facing scene lighting.

Key Features:

- 5w LEDs with precision acrylic optics
- All Aluminum Extrusion
- Multiple Mounting Options
- Split Circuit Optic control

FT-B-46-ML3 SPECS

| | |
|-----------------------------|----------------|
| RAW LUMENS | 19,336 |
| EFFECTIVE LUMENS | 13,535.2 |
| WATTAGE | 189W |
| TOTAL AMPERAGE | 15.4A @12V DC |
| CIRCUIT 1 (SPOT) AMPERAGE | 2.5A @12V DC |
| CIRCUIT 2 (SCENE) AMPERAGE | 7.5A @12V DC |
| CIRCUIT 3 (FLOOD) AMPERAGE | 5A @12V DC |
| CIRCUIT 4 (MARKER) AMPERAGE | 0.75A @ 12V DC |
| INPUT VOLTAGE | 9-32V DC |



Included Mounting:



Pedestal Mounting Feet

Ships included with fixture

Optional Mounting:



Cab Radius Mounting Bracket

P-MB-R3FOOT-*



L Foot Mounting Bracket (Vertical Surface)

P-MB-LFOOT-*

| Model # | Description | Raw Lumens | Effective Lumens | Wattage | Amperage @12v DC | Beam Pattern | Length | # of Mounting Feet |
|---------------|---------------------------------------------------------------------------------------------------|------------|------------------|---------|------------------|--------------------|--------|--------------------|
| FT-B-46-ML3-B | 50" Brow Light. 39 LEDs. 5 Watt chip sets. 3 integrated marker lights, 4 circuits. Black housing. | 19,336 | 13,535.2 | 189W | 15.75A | Spot, Flood, Scene | 50" | 7 |
| FT-B-46-ML3-W | 50" Brow Light. 39 LEDs. 5 Watt chip sets. 3 integrated marker lights, 4 circuits. White housing. | 19,336 | 13,535.2 | 189W | 15.75A | Spot, Flood, Scene | 50" | 7 |