

FT-B-72-ML

ABOUT THE BROW LIGHT

Thinner, Brighter, and Guaranteed Forever. That's the FireTech way. The FireTech Brow Light is the ultimate lighting solution for the front of your Fire Apparatus and there is a reason it is trusted by some of the nation's largest fleets.

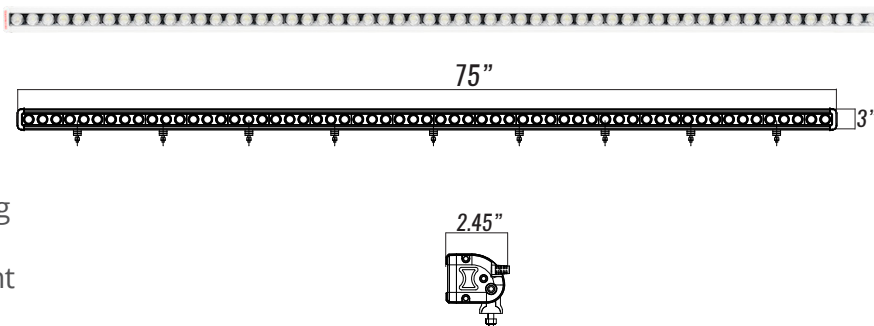
Available with optional Integrated DOT Marker lights and split circuits, this product is the first fixture specifically designed from the ground up for use on the front of an apparatus cab to illuminate the roadway. One of the secrets to the success of the FireTech Brow Light is the ability to attach the light at multiple points along the extrusion. This patented, adjustable rail mounting system allows the FireTech Brow Light to be attached more securely to the apparatus. This means that overtime, it will not flex and succumb to moisture intrusion. The FireTech Brow Light's extreme reliability and proven track record is why it is the ultimate lighting solution for forward facing scene lighting.

Key Features:

- 5w LEDs with precision acrylic optics
- All Aluminum Extrusion
- Multiple Mounting Options
- Split Circuit Optic Control

FT-B-72-ML SPECS

RAW LUMENS	30,096
EFFECTIVE LUMENS	21,067
WATTAGE	285W
TOTAL AMPERAGE	23.75A @12V DC
CIRCUIT 1 (SPOT) AMPERAGE	5A @12V DC
CIRCUIT 2 (SCENE) AMPERAGE	10A @12V DC
CIRCUIT 3 (FLOOD) AMPERAGE	7.5A @12V DC
CIRCUIT 4 (MARKER) AMPERAGE	1.25A @12V DC
INPUT VOLTAGE	9-32V DC



Included Mounting:



Pedestal Mounting Feet
Ships included with fixture

Optional Mounting:



Cab Radius Mounting Bracket
P-MB-R3FOOT-*



L Foot Mounting Bracket (Vertical Surface)
P-MB-LFOOT-*

Model #	Description	Raw Lumens	Effective Lumens	Wattage	Amperage @12v DC	Beam Pattern	Length	# of Mounting Feet
FT-B-72-ML-B	75" Brow Light. 65 LEDs. 5 Watt chip sets. 5 integrated marker lights, 4 circuits. Black housing.	30,096	21,067	285W	23.75A	Spot, Flood, Scene	75"	9
FT-B-72-ML-W	75" Brow Light. 65 LEDs. 5 Watt chip sets. 5 integrated marker lights, 4 circuits. White housing.	30,096	21,067	285W	23.75A	Spot, Flood, Scene	75"	9