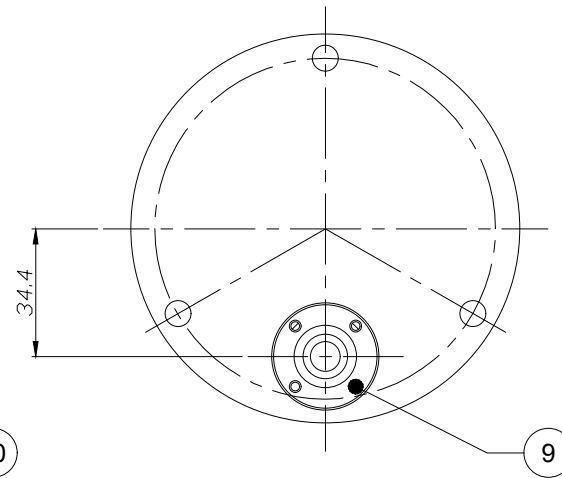
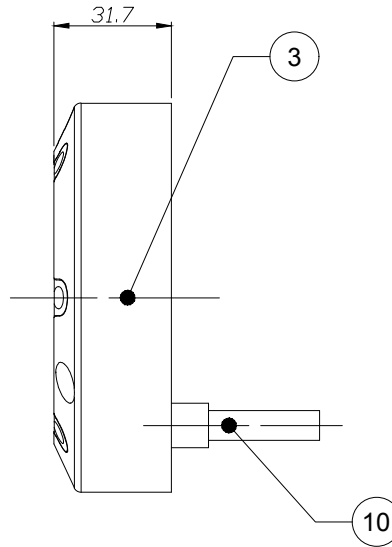
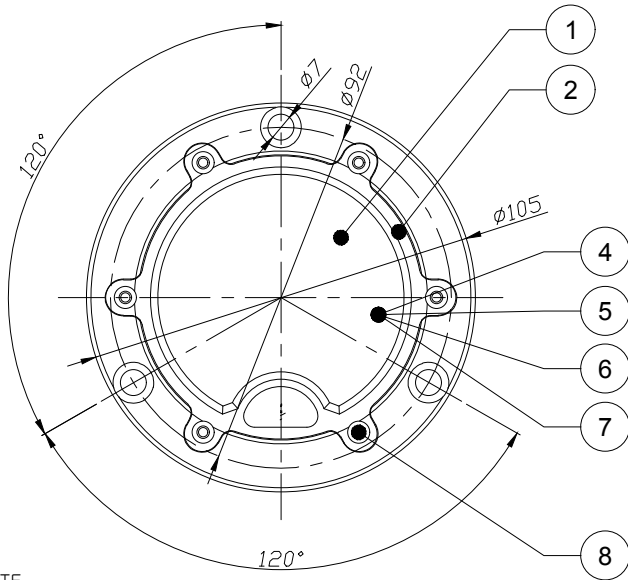


[SPECIFICATION]

- 1. OPERATING VOLTAGE : DC 9V ~ 32V
- 2. WATTAGE : 22W
- 3. LED : XP-E2 (CREE) X 6EA
- 4. LUMINOUS FLUX : -, (lm)
- 5. LENS : ACRYLIC
- 6. WEIGHT : 570 (g)
- 7. VIBRATION : 8.7 (Grms)
- 8. WEATHER PROOF & DUST RESISTANCE
- 9. TEMPERATURE : -40 °C ~ 85°C
- 10. LIFE : 50,000 (Hr)
- 11. IP RATING : IP68/69K

NO.	PART NAME	DESCRIPTION	Q'TY
01	PC COVER	PC(CLEAR/2.0T)	1
02	TOP COVER	ALDC12(MARINE GLOSSY WHITE)	1
03	BODY	ALDC12(MARINE GLOSSY WHITE)	1
04	LENS	LL01HS-DF25L02-M2-T	6
05	LED-PCB	SUBAQUA2 V0.3P / XPE-2 X 6 / 22W	1
06	GAP PAD	GAP PAD / 35 * 35 / 2.0T	1
07	BOLT	PH+ /SUS304/M2X5	4
08	BOLT	ALLEN/SUS304/M4X8/NYLOK	6
09	BOLT	PH+ /SUS304/M3X6/NYLOK	4
10	CABLE ASSY	DEUTSCH / DT04-2P / 14AWG	1



*NOTE.

REV.	ZONE	REVISION RECORD	
		ANGLE	
UNIT	mm	SCALE	1:1
SHEET	1/1	REV	F0
Qty	1	SIZE	A2
DESIGN :	K.J.H	DATE	16.05.11
CHECKED :	M.Y.H	DATE	16.05.11
APPROVAL :	J.S.M	DATE	16.05.11
WEIGHT :	-		
FINISH :	-		
MATERIAL :	-		
CODE NO. :	VXA-165-01-00-0		
PART NAME :	SPEC SHEET		
MODEL NAME :	FT-CU-AQX		