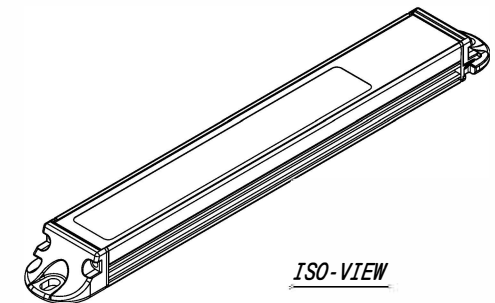
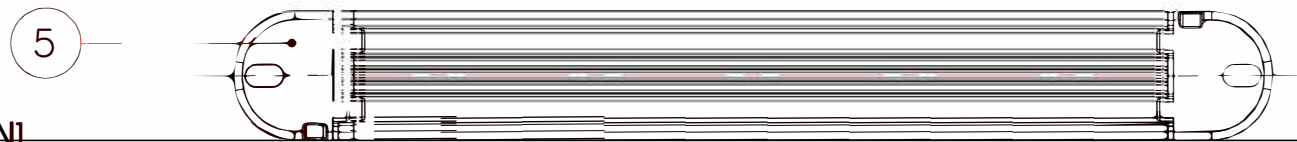
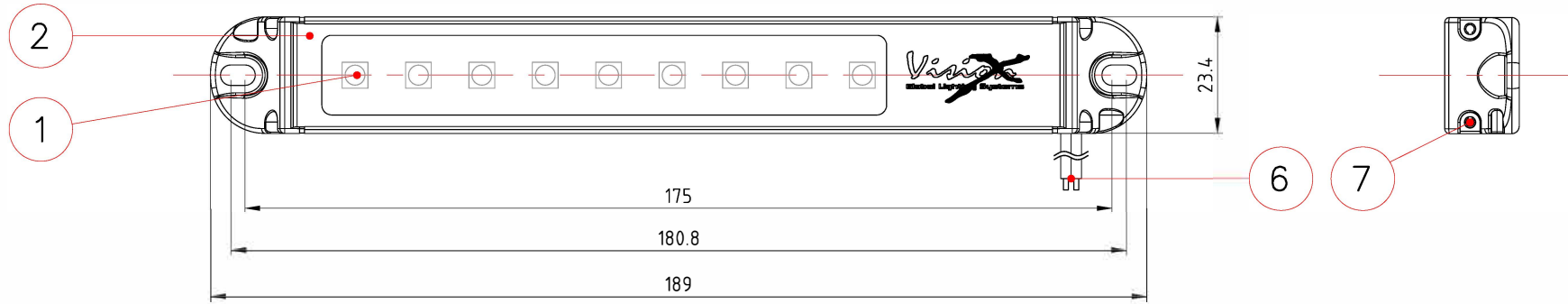


|    |              |                            |      |        |
|----|--------------|----------------------------|------|--------|
| 7  | BOLT         | SUS/M2X15                  | 2    |        |
| 6  | WIRE         | AWG18 (BLK/RED)/1.0M       | 2    |        |
| 5  | SIDE-COVER   | ALDC12 (LIQUID-COATING)    | 2    |        |
| 4  | SIDE-BUSHING | SILICONE                   | 2    |        |
| 3  | BODY         | AL (ANODIZING)             | 1    |        |
| 2  | TOP-COVER    | PC-SHEET (1.0T)/SILK-PRINT | 1    |        |
| 1  | PCB-ASSY     | 09LED (TOUCH-TYPE)         | 1    |        |
| NO | PARTS NAME   | SPEC (FINISHING)           | Q'TY | REMARK |



**[SPECIFICATION]**

- 1. OPERATING VOLTAGE : DC 9V ~ 32V
- 2. WATTAGE : 2W
- 3. LED : 0.2W (5050)
- 4. LUMINOUS FLUX : - (lm)
- 5. WEIGHT : - (g)
- 6. VIBRATION : - (Grms)
- 7. WEATHER PROOF & DUST RESISTANCE
- 8. TEMPERATURE : -20°C ~ 60°C
- 9. LIFE : 30,000 (Hr)
- 11. IP RATING : IP65



|       |            |          |       |          |             |                                                       |
|-------|------------|----------|-------|----------|-------------|-------------------------------------------------------|
| UNIT  | mm         | DRAWING  | CHECK | APPROVAL | TITLE       | FT-CU-HDSTRIP-7.5<br>(STRIP-LIGHT)<br>[EXTERNAL-VIEW] |
| TOL.  | ±0.2       | S.G.PARK |       |          |             |                                                       |
| SCALE | 1:1        |          |       |          |             |                                                       |
| DATE  | 2013.01.23 |          |       |          | DRAWING NO. | VX-BD-0000-0                                          |