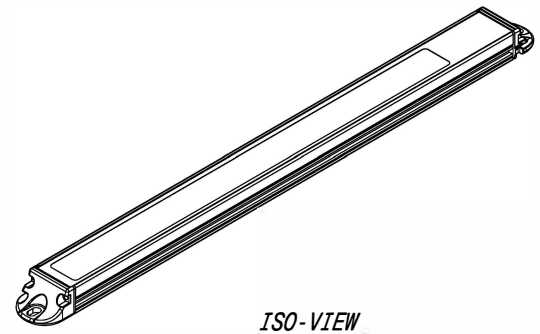
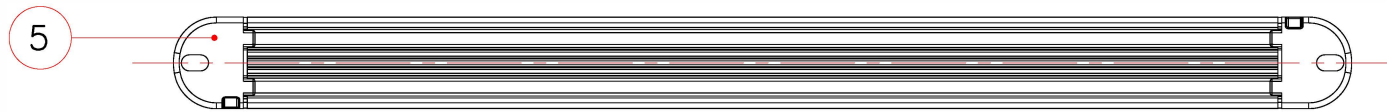
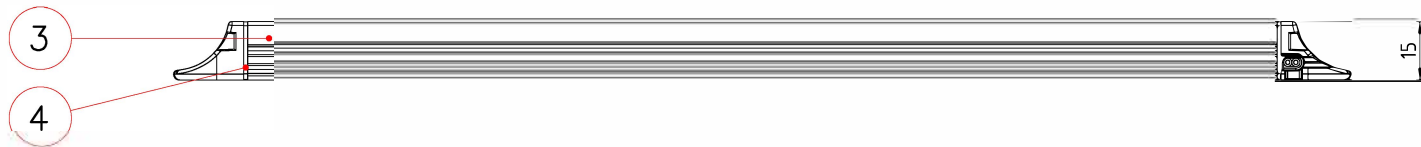
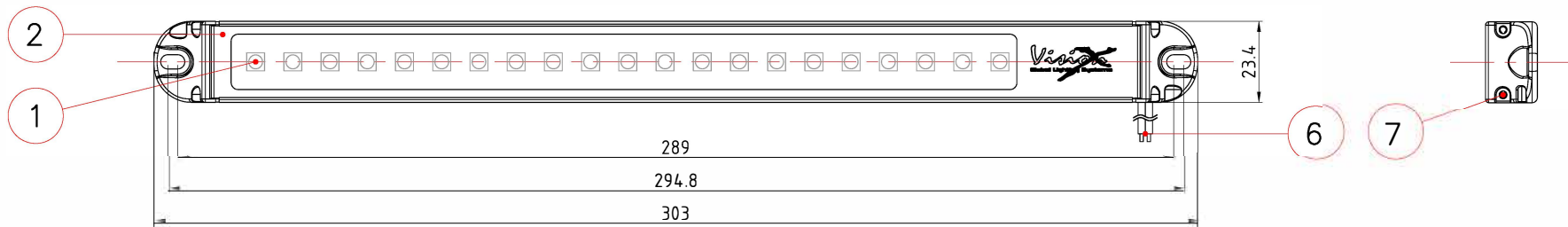


7	BOLT	SUS/M2X15	2	
6	WIRE	AWG18 (BLK/RED)/1.0M	2	
5	SIDE-COVER	ALDC12 (LIQUID-COATING)	2	
4	SIDE-BUSHING	SILICONE	2	
3	BODY	AL (ANODIZING)	1	
2	TOP-COVER	PC-SHEET(1.0T)/SILK-PRINT	1	
1	PCB-ASSY	21LED	1	
NO	PARTS NAME	SPEC (FINISHING)	Q'TY	REMARK



ISO-VIEW

[SPECIFICATION]

- 1. OPERATING VOLTAGE : DC 9V ~ 32V
- 2. WATTAGE : 4.2W
- 3. LED : 0.2W (5050)
- 4. LUMINOUS FLUX : - (lm)
- 5. WEIGHT : - (g)
- 6. VIBRATION : - (Gms)
- 7. WEATHER PROOF & DUST RESISTANCE
- 8. TEMPERATURE : -20°C ~ 60°C
- 9. LIFE : 30,000 (Hr)
- 10. IP RATING : IP65



REV.01

UNIT	mm	DRAWING	CHECK	APPROVAL	TITLE	<b>FT-CU-HD12</b> (STRIP-LIGHT) <b>[EXTERNAL VIEW]</b>
TOL.	±0.2	<b>S.G.PARK</b>				
SCALE	1:1					
DATE	2013.01.23					
<b>FIRETECH</b> HiViz LED Lighting "FireTech" Configuration					DRAWING NO.	VX-BD-0000-0