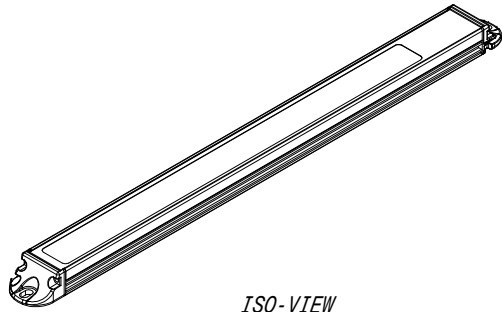


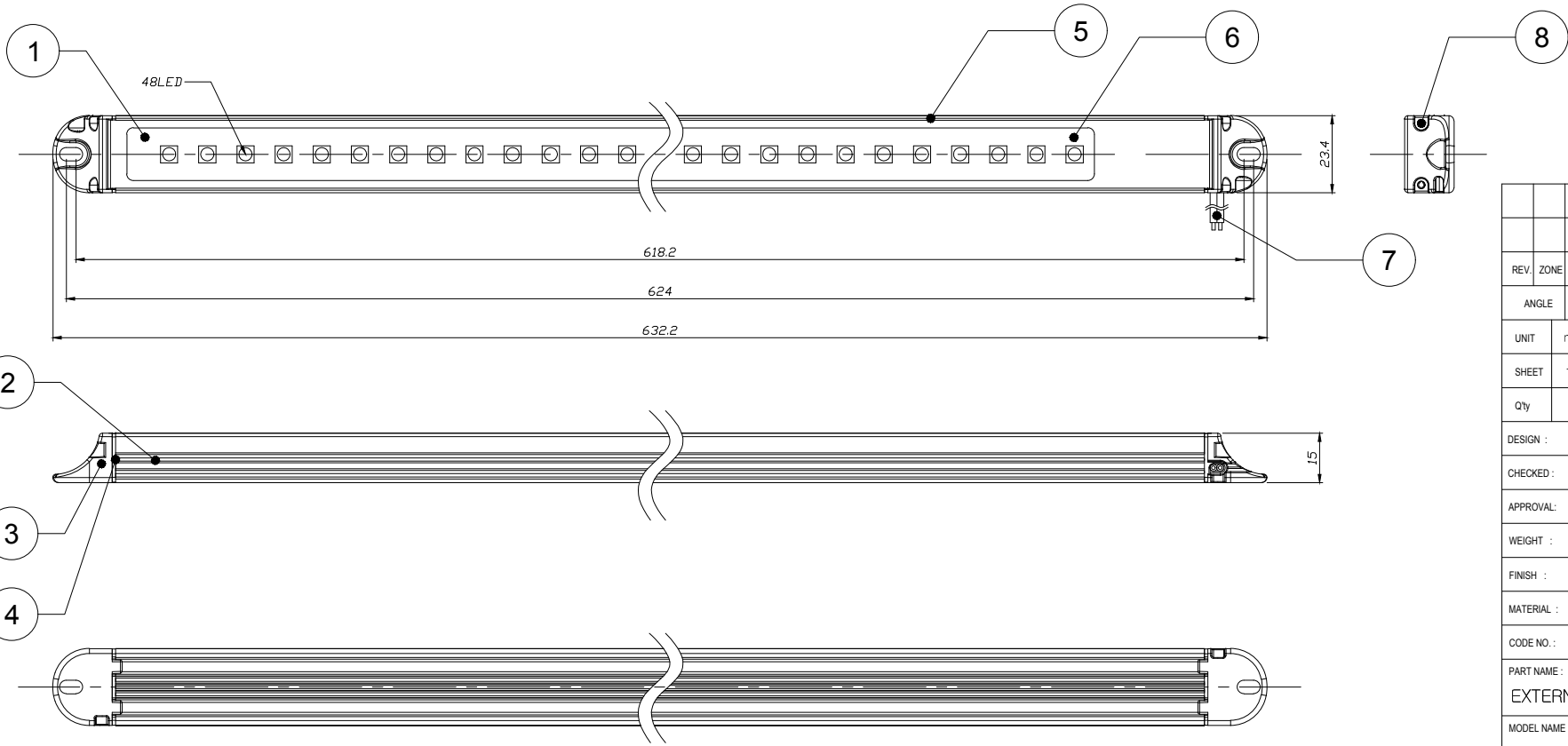
NO.	PART NAME	DESCRIPTION	Q'TY
01	TOP-COVER	PC-SHEET(1.0T)/SILK-PRINT	1
02	BODY	AL (ANODIZING)	1
03	SIDE-COVER	ALDC12 (LIQUID-COATING)	2
04	SIDE-BUSHING	SILICONE(L,R)	2
05	O-RING	SILICONE (Ø2.0X596.6mm)	2
06	PCB-ASSY	48LED	1
07	WIRE	AWG18 (BLK/RED)/1.2M	2
08	BOLT	SUS/ALLEN-M2X10(NYLOK)	4

[SPECIFICATION]

1. OPERATING VOLTAGE : DC 9V ~ 32V
2. WATTAGE : 9.6W
3. LED : 0.2W X 48EA (5050)
4. LUMINOUS FLUX : - (lm)
5. WEIGHT : - (g)
6. WEATHER PROOF & DUST RESISTANCE
7. TEMPERATURE : -20°C ~ 60°C
8. LIFE : 30,000 (Hr)
9. IP RATING : IP54



ISO-VIEW



FT-CU-HD24 LENGTH : 24" (633.2mm)
LED : 48LED / 11.6mm

REV.	ZONE	REVISION RECORD	
		ANGLE	
UNIT	mm	SCALE	1:1
SHEET	1/1	REV	F0
Qty	1	SIZE	A2
DESIGN :	K.J.H	DATE	16.02.01
CHECKED :	M.Y.H	DATE	16.02.01
APPROVAL :	J.S.M	DATE	16.02.01
WEIGHT :	-		
FINISH :	-		
MATERIAL :	-		
CODE NO. :	VXA-162-02-00-0		
PART NAME :	EXTERNAL VIEW		
MODEL NAME :	FT-CU-HD24 (Strip Light)		