

A3(420-297)

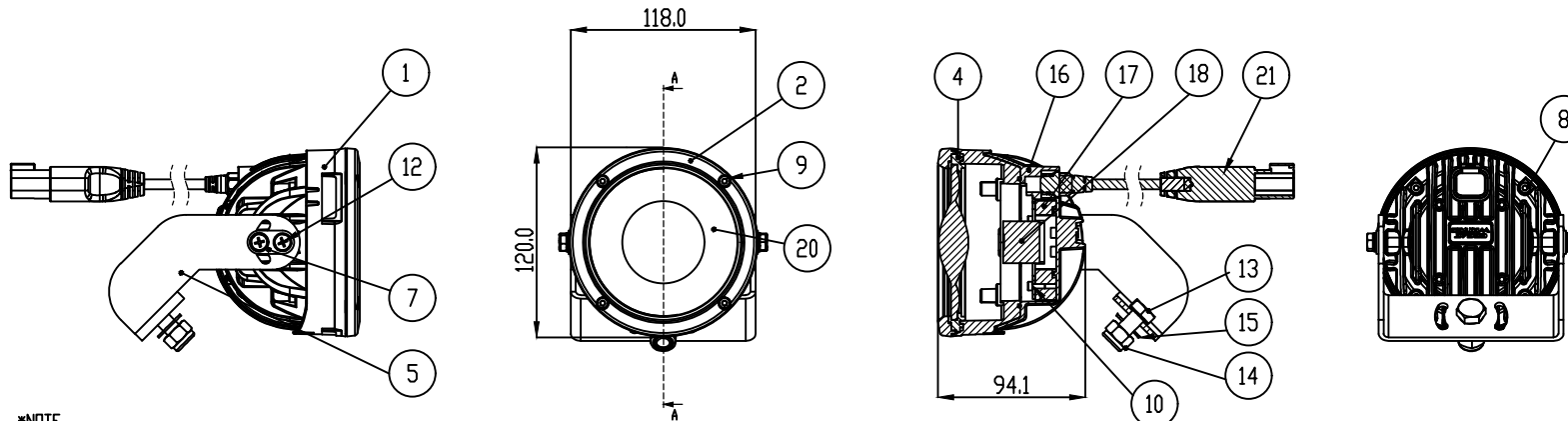
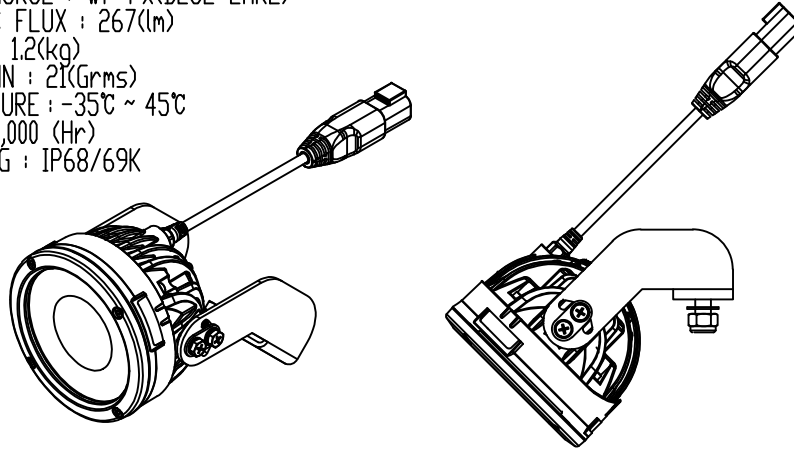
VX0F 405-4(Rev.1)

FILE NAME	P2001CANNON GEN2 LASER-MC2PCL140FVXADBK
CODE NO	MC2PCL140FVXADBK



## [SPECIFICATION]

1. OPERATING VOLTAGE : DC9V ~ 32V
2. WATTAGE : 12W
3. LIGHT SOURCE : WP-Px(BLUE LAKE)
4. LUMINOUS FLUX : 267(lm)
5. WEIGHT : 1.2(kg)
6. VIBRATION : 2l(Grms)
7. TEMPERATURE : -35℃ ~ 45℃
8. LIFE : 10,000 (Hr)
9. IP RATING : IP68/69K



## \*NOTE

1. Unspecified tolerance is refer to tolerance range table.
2. Flatness and warpage : Max 0.5mm
3. Burr, Sharp edge, scratch, crack are not allowable.
4. Unspecified dimensions are symmetric to the opposite side or refer to 3D file.
5. All parts supplied to VisionX must not contain prohibited substances including RoHS Hazardous substances.
6. Inspection data for all dimensions should be submitted to VisionX.

NL	PART NAME	CODE NL	DESCRIPTION	SUPPLIER	QTY
1	BODY	ABD4700BK	GWR4700	WONCHANG	1
2	TOP COVER	ATPCCTLPXZ110VXA DBK	PC, CANNON VISION X	GUNHWA	1
3	REAR O-RING	ADR4700	SILICONE/230 255MM	SINWOOD	1
4	SEAL-TUBE	ACV4700	SILICONE(OHD-)	SINWOOD	1
5	TRUNNION BRACKET	ABK4700ADBK	GWR4700 LASER, AL50S3(32)	NEDSYSTECH	1
6	SIDE BUSHING	ABS4700	GWR4700 / SILICONE	ATEX	4
7	PLATE4	APL4CPM	303 / SUS304 / 15MM	NEDSYSTECH	2
8	BOLT	ASC828	VC BOLT M4 X 12 SUS316 BLACK GREENCOATING	CHANGIN	4
9	BOLT	ASC321	VC BOLT M4 X 10 SUS316 BLACK GREENCOATING	CHANGIN	4
10	BOLT	ASC515	VC BOLT SUS304 WHITE BLUECOATING	CHANGIN	7
11	BOLT	ASC592	HX_SS2_+ BOLT M6 X 20 SUS304 WHITE BLUECOATING	CHANGIN	2
12	BOLT	ASC544	HX_SS_+ BOLT M6 X 15 SUS304 WHITE BLUECOATING	CHANGIN	2
13	BOLT	ASC1071	HX BOLT M10 X 25 SUS304 WHITE BLUECOATING	CHANGIN	1
14	NYLON NUT	ASC121	NYLON_NUT M10 SUS304 WHITE NOCOATING	CHANGIN	1
15	WASHER	ASC53	WASHER M10 X 20 12 SUS304 WHITE NOCOATING	CHANGIN	1
16	HEAT SINK	AHS4700RFSVXADBK	GWR 4700 REFLECTOR / SCREW TYPE / ///	SEJUN	1
17	BLDCK	ABL4700L	GWR_4700 LASER / / / / /	TDILJEN	1
18	LASER MODULE	CLMVPXR500LN	VP-Rx, 500LUMEN	LAN HU	1
19	PCB ASS'Y	MPACG2GWR4700L	[AGYB] GEN2 GWR4700 LASER, VOLIP (PCB BOARD VOLIP)	VISIONXASTIA	1
20	PC COVER	APC4700L	GWR 4700 LASER / LENS 30303 /	HADXI	1
21	CABLE ASS'Y	ACR2P140MMRFLDTPS C	2P 140MM, AVG18 RFL, SCREW TYPE	TECHONE	1

REV.	DATE	REVISION RECORD																																												
<table border="1"> <tr> <td>ANGLE</td> <td colspan="3"> </td> </tr> <tr> <td>UNIT</td> <td>mm</td> <td>SCALE</td> <td>1:1</td> </tr> <tr> <td>SHEET</td> <td>1/1</td> <td>REV</td> <td>RD</td> </tr> <tr> <td>Qty</td> <td>1</td> <td>SIZE</td> <td>N/A</td> </tr> <tr> <td>DESIGN</td> <td>C.W.S</td> <td>DATE</td> <td>2021-09-23</td> </tr> <tr> <td>CHECKED</td> <td>C.W.S</td> <td>DATE</td> <td>2021-09-23</td> </tr> <tr> <td>APPROVAL</td> <td>J.S.M</td> <td>DATE</td> <td>2021-09-23</td> </tr> <tr> <td>WEIGHT</td> <td colspan="3">-</td> </tr> <tr> <td>FINISH</td> <td colspan="3">-</td> </tr> <tr> <td>INTERNAL</td> <td colspan="3">-</td> </tr> <tr> <td>PART NAME</td> <td colspan="3">-</td> </tr> </table>			ANGLE				UNIT	mm	SCALE	1:1	SHEET	1/1	REV	RD	Qty	1	SIZE	N/A	DESIGN	C.W.S	DATE	2021-09-23	CHECKED	C.W.S	DATE	2021-09-23	APPROVAL	J.S.M	DATE	2021-09-23	WEIGHT	-			FINISH	-			INTERNAL	-			PART NAME	-		
ANGLE																																														
UNIT	mm	SCALE	1:1																																											
SHEET	1/1	REV	RD																																											
Qty	1	SIZE	N/A																																											
DESIGN	C.W.S	DATE	2021-09-23																																											
CHECKED	C.W.S	DATE	2021-09-23																																											
APPROVAL	J.S.M	DATE	2021-09-23																																											
WEIGHT	-																																													
FINISH	-																																													
INTERNAL	-																																													
PART NAME	-																																													
<table border="1"> <thead> <tr> <th>Class</th> <th>(A)</th> <th>B</th> <th>C</th> </tr> </thead> <tbody> <tr> <td>~S6</td> <td>±0.05</td> <td>±0.1</td> <td>±0.2</td> </tr> <tr> <td>6S30</td> <td>±0.1</td> <td>±0.2</td> <td>±0.5</td> </tr> <tr> <td>30S120</td> <td>±0.15</td> <td>±0.3</td> <td>±0.8</td> </tr> <tr> <td>120S315</td> <td>±0.2</td> <td>±0.5</td> <td>±1.2</td> </tr> <tr> <td>315S1000</td> <td>±0.3</td> <td>±0.8</td> <td>±2</td> </tr> <tr> <td>1000S&lt;</td> <td>±0.5</td> <td>±1.2</td> <td>±3</td> </tr> </tbody> </table>			Class	(A)	B	C	~S6	±0.05	±0.1	±0.2	6S30	±0.1	±0.2	±0.5	30S120	±0.15	±0.3	±0.8	120S315	±0.2	±0.5	±1.2	315S1000	±0.3	±0.8	±2	1000S<	±0.5	±1.2	±3																
Class	(A)	B	C																																											
~S6	±0.05	±0.1	±0.2																																											
6S30	±0.1	±0.2	±0.5																																											
30S120	±0.15	±0.3	±0.8																																											
120S315	±0.2	±0.5	±1.2																																											
315S1000	±0.3	±0.8	±2																																											
1000S<	±0.5	±1.2	±3																																											
<table border="1"> <tr> <td>MODEL NAME</td> <td>P2001</td> </tr> <tr> <td></td> <td>CANNON 4700 LASER</td> </tr> </table>			MODEL NAME	P2001		CANNON 4700 LASER																																								
MODEL NAME	P2001																																													
	CANNON 4700 LASER																																													